

# Slope front ice storage bins

**Model 425-30** – 30" (762mm) wide, stores approximately 430 lbs (195kg)

**Model 650-44** – 44" (1118mm) wide, stores approximately 660 lbs (299kg)

**Model 950-48** – 48" (1220mm) wide, stores approximately 950 lbs (431kg)

**Model 1025-52** – 52" (1321mm) wide, stores approximately 1030 lbs (467kg)



Model 950-48 shown

Small to medium capacity ice storage bins for use with all major commercial icemakers. Widths from 30" to 52" (762 to 1321mm) and storage capacities from approximately 400 to 1000 lbs (181 to 454kg). All models standard with stainless steel top, front and sides. All bins include stainless tops custom cut for specific icemaker(s) to be used and 6" (153mm) adjustable legs.

## Wide range of models to meet varied needs

- Four models to meet a wide range of space and capacity requirements
- Space-saving 30" (762mm) wide 425-30 provides perfect match for compact icemakers
- Wider bins accommodate larger icemakers and side-by-side installation of smaller cubers and flakers

## Convenient, user-friendly design

- Extra large door openings provide maximum access for ice removal and bin cleaning
- Extra low door sills allow users to easily reach ice at the bottom of the bin
- 31.5" (801mm) depth ensures that all models fit through standard 36" (915mm) door

## Quality construction features

- Stainless steel exterior standard – top, front and sides
- Heavy-duty welded steel shell and frame support even heavy stacks of icemakers
- Non-CFC polyurethane foam insulation bonds shell and liner for additional rigidity and provides optimal insulation
- Stainless steel bin tops are custom cut for specific icemaker(s) to be used
- Rigid stainless steel lift doors with non-staining ABS interior panel are insulated with non-CFC foam polyurethane to withstand heavy use
- Durable, non-corroding polyethylene liners ensure long life
- Fully replaceable gasket seals door opening to reduce meltage

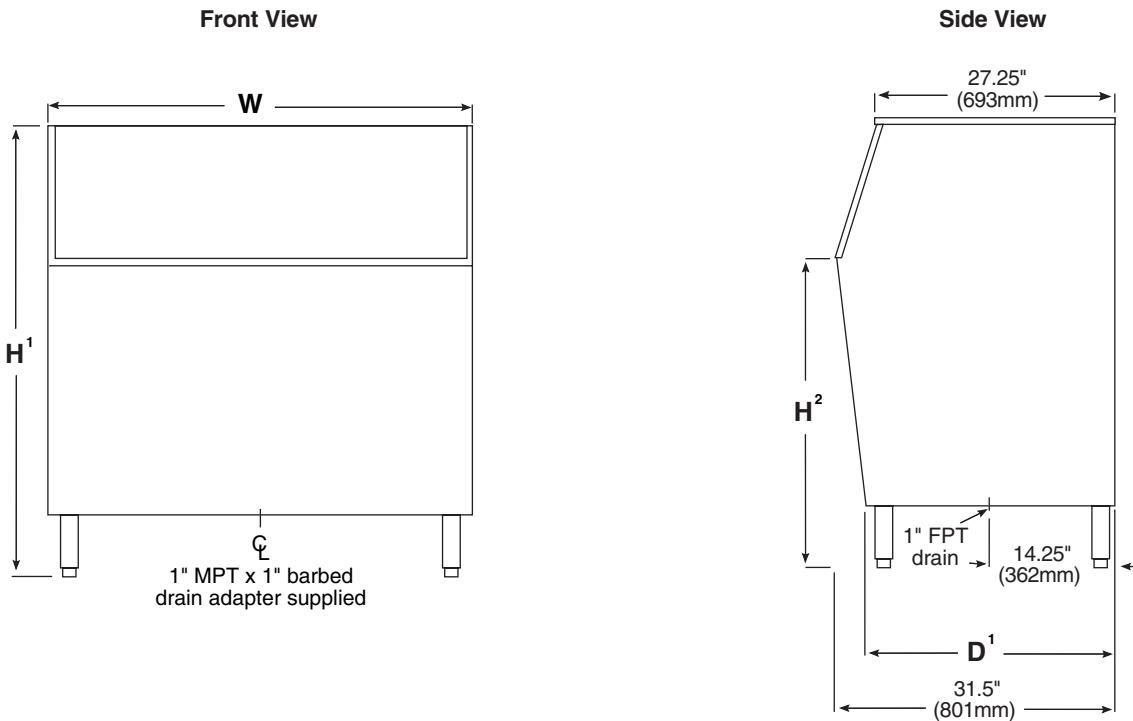
## Accessories

- Partition
- Stainless steel legs (item# ABSPECLEGS)
- Stainless steel back and bottom
- Drain pan assembly (required for Howe, Vogt, and Northstar icemakers)
- San Jamar Saf-T-Ice® Guardian scoop system (item# 00146365)

Job: \_\_\_\_\_

Item: \_\_\_\_\_

# Slope front ice storage bins



## General Notes

- Follett recommends installation of a floor drain with grate with all ice storage bins

Model Number	Cubic Volume cu ft (m)	Max. Bin Cap. lb (kg)	Width (W) in (mm)	Depth (D¹) in (mm)	Height (H¹) with Legs in (mm)	Door Sill Height (H²) in (mm)	Req'd Door Access in (mm)	Approx. Ship Wt. lb (kg)
425-30	13.8 (.39)	430 (195)	30 (762)	29.50 (750)	40 (1016)	24.5 (623)	31 (788)	144 (66)
650-44	20.8 (.59)	660 (299)	44 (1118)	29.50 (750)	40 (1016)	24.5 (623)	32 (813)	178 (81)
950-48*	30.1 (.85)	950 (431)	48 (1220)	28.25 (718)	50 (1270)	34.5 (877)	32 (813)	207 (94)
1025-52*	32.6 (.92)	1030 (467)	52 (1321)	28.25 (718)	50 (1270)	34.5 (877)	32 (813)	204 (93)

## \*Notes:

Add 1.625" (42mm) to depth and 10 lbs (4.5kg) to shipping weight when drain pan accessory is required.

**Specifications** Ice storage bin to be Follett model \_\_\_\_\_. Cubic capacity to be \_\_\_\_\_, to hold approximately \_\_\_\_\_ lbs/kg of ice. Outside dimensions of bin to be \_\_\_\_\_ wide, \_\_\_\_\_ deep and \_\_\_\_\_ high, including 6" (153mm) adjustable legs. Construction to be of welded steel shell and frame. Exterior finish to be stainless steel front and sides with galvanized steel back and bottom. Bin to have non-corroding polyethylene liner. Bin insulation to be non-CFC polyurethane foam, bonded to shell and liner for added structural strength. Bin top to be stainless steel and to be custom cut for specific icemaker(s) to be used. Lift door to have stainless steel exterior and ABS interior, bonded together with non-CFC polyurethane foam for extra rigidity and strength. Bin to have conveniently low door sill height to allow easy access to ice in the bottom of the bin. Door opening to be completely sealed with fully replaceable gasketing. Bin to be equipped with 6" (153mm) legs, adjustable to 7.5" (191mm). Drain to be 1" FPT rigid PVC. Bin to be NSF-listed.

Follett reserves the right to change specifications at any time without obligation. Certifications may vary depending on country of origin.